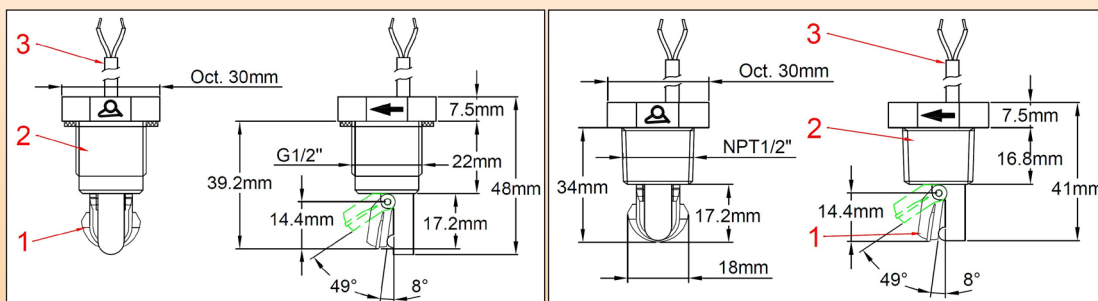


Paddle flow switches, reed switch contact, 1/2" male thread

Types: R1L and R1G

Pressure and size	Flow sensing: Gravity pull back paddle	Mounting: 1/2" male thread	Contact: Reed switch, Open on flow rise	Electrical rating	Mounting position	Type
PN10 DN≥25				$\leq 1A$ $\leq 70W$ $\leq 250V\sim$		R1L (BSPP) R1G (NPT)



1: Cable

2: Body

3: Paddle

1: Cable

2: Body

3: Paddle

R1L (1/2" BSPP)

R1G (1/2" NPT)

Main uses: The most simple and price effective flow switch of the range. Used for water flow detection on **small size** water pipes. **CONTACT OPENS BY FLOW RISE.**

Functional principle:

Balanced magnetic paddle mounted perpendicular to the flow and activating a reed switch through the wall. The return of the paddle is by gravity, without spring. No seal or liquid can pass between the piping system and the electrical contact. Suitable for corrosive water pools and spas and salination chlorination and bromination systems. Not to be used for water containing magnetic particles or high viscosity liquids, which block the movement of the paddle.

Main housing material: Polypropylene, resistant to ozone and water disinfection products, usable with potable water.

Paddle: Polypropylene, 18mm width

Paddle shaft: Titanium, providing an outstanding corrosion resistance, and improved mechanical life

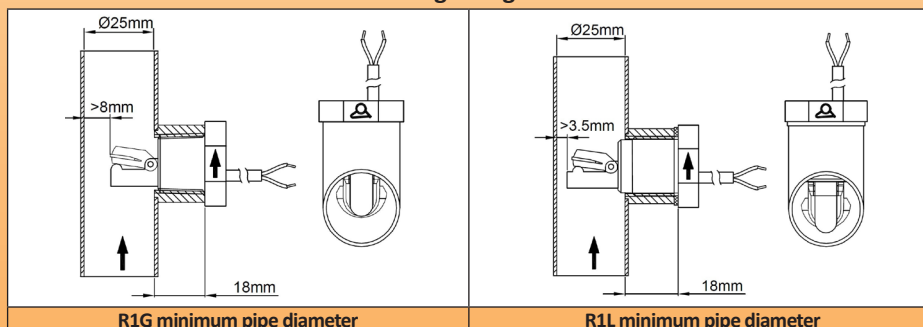
Electrical rating: Max 1A, Max 70W, Max 250V, resistive load. Use on inductive circuits reduces electrical rating. We recommend to protect the reed switch with contact protection device when used in inductive loads

Electric contact type: Normally close, **open** by flow rise

Liquids compatibility: For use with clean water and liquids without magnetic particles and without chemical incompatibility with polypropylene

Nominal pressure at 20°C: 1MPa (PN10)

Mounting configurations



R1G minimum pipe diameter

R1L minimum pipe diameter

Average Flow detection values vs pipe I.D. and paddle length (Liters/min)

Paddle length	25		32		40		50		63	
	*Close	**Open	*Close	**Open	*Close	**Open	*Close	**Open	*Close	**Open
1	12,7	10,8	17	13,5	28	23	46	42	93	83

** Open by flow rise (L/min) of contact **close** at no flow position * Close by flow decrease (L/min) of contact **close** at no flow position. Average values for indication only. Standard tolerances ±30%

Nominal diameter: Usually used on 25 to 32 mm internal diameter pipes. The paddle is not cleavable.

Mandatory mounting position: On vertical pipes, with horizontal flow switch axis, and paddle upside. Upstream flow **only**.

Water pipe connection: On female 1/2" fitting.

On the type with BSPP thread, a NBR gasket is supplied with the product. On the type with NPT thread, thread sealant must be used. Recommended torque: 7Nm

Liquids temperature range: 5 to 80°C

Ambient temperature range: 5 to 50°C

Ingress protection: IP65

Electrical connection: 2 x AWG24 (0.2mm²) cable, PVC insulation, T80°, style UL2464.

Installation instructions:

- Check carefully the paddle orientation: The arrow on housing must be exactly parallel to the pipe
- A 5 mm minimum gap must be respected between end of the paddle and tube wall opposite to the fitting.
- We recommend the use of nozzles of length less than or equal to 18mm between the gasket seat and the inside of the tube and with an inner diameter greater than or equal to 20 mm, to avoid blocking of the paddle.

Accessories: 1/2" PVC saddles for DN40 to DN100 (OD) PVC pipes, and other fittings: see last section of this catalogue

Options: cable with connector or terminals, other cable length

Main references

Thread	Cable length		
	500mm	1m	2m
1/2" BSPP	R1L611536F45P050	R1L611536F45P100	R1L611536F45P200
1/2" NPT	R1G611534F25P050	R1G611534F25P100	R1G611534F25P200

